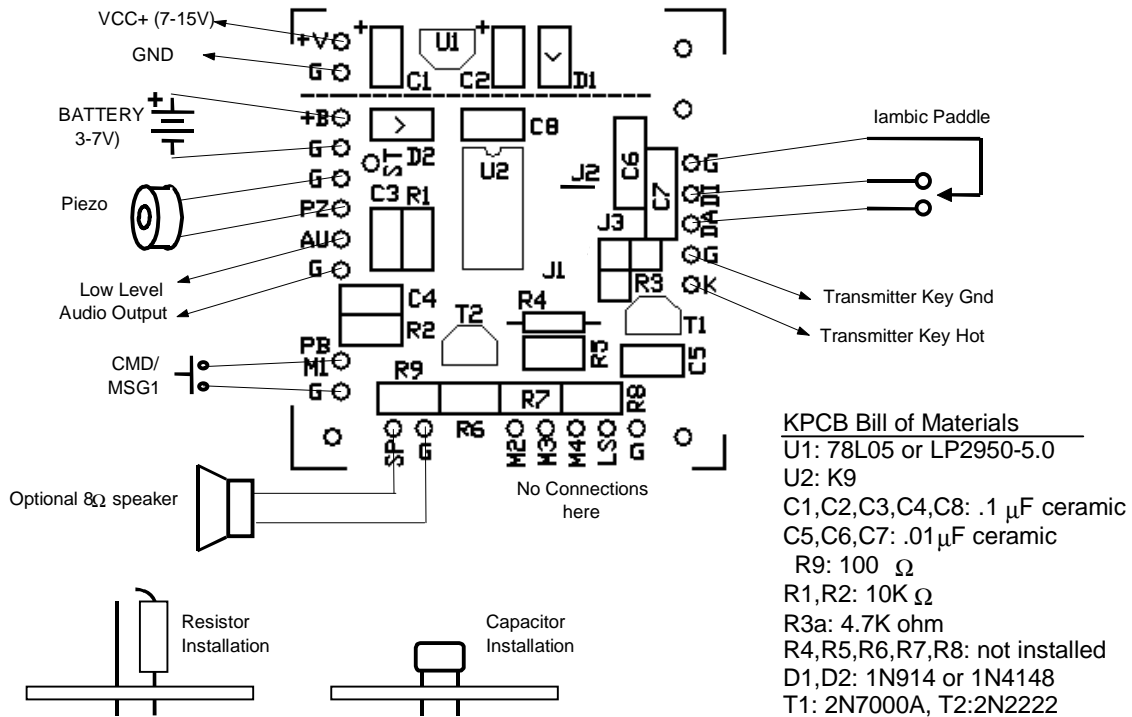


## KPCB for K9 Assembly Information 3-12-99



- 1) Install Jumper J2
- 2) Install resistor R3a
- 3a) If this is a battery only application install a jumper in place of D2
- 3b) If this is a regulator only application install C1, C2, U1 and a jumper in place of D1
- 3c) If both regulator and battery will be used, install C1, C2, U1, D1 and D2
- 4) Install transistor T1, be sure that its flat side aligns with silkscreen
- 5) Install capacitors C5, C6, C7, and C8
- 6) If using the speaker drive circuit install R9 and transistor T2
- 7) If using the low level audio circuit install R1, R2, C3, and C4
- 8) Install 8 pin socket at location U1

### Final assembly and Checkout

- 1) Connect external connections as shown in figure above.
- 2) There are three audio options: an external 8  $\Omega$  speaker, a piezo speaker, or audio feed to an external amplifier or xmit microphone input.
- 3) Double check power supply polarity and apply power to board.
- 4) Check voltage at U2 between pin 1 and 8. Pin 1 should be positive with respect to pin 8 and should be 5 volts if using the regulator or roughly equal to the battery voltage.
- 5) Turn off power and install U2 carefully as not to bend any leads.
- 6) Reapply power and the K chip should send a morse R in sidetone.
- 7) Refer to manual and test out the various commands.
- 8) Wire up a transmitter key and you are ready to operate.

