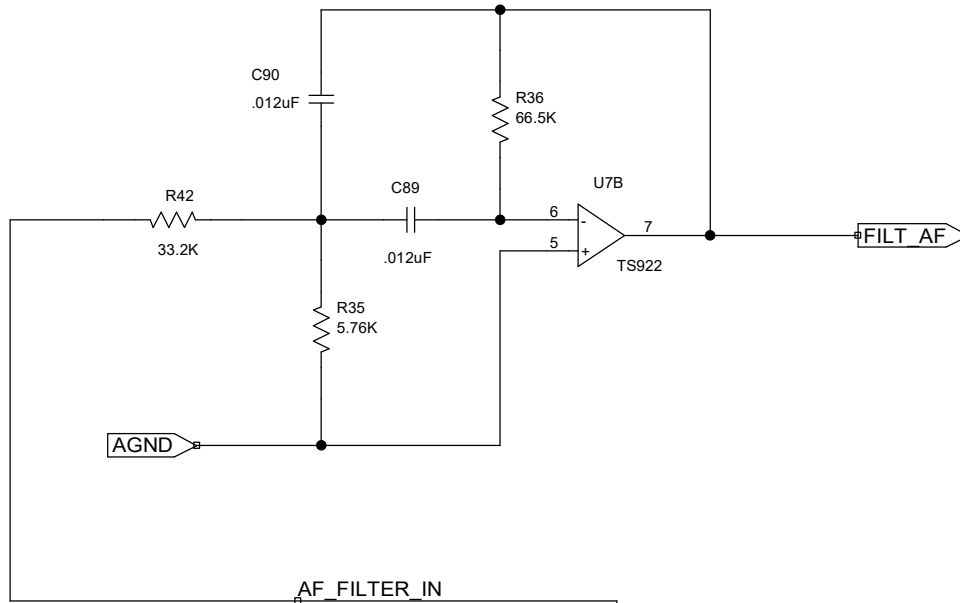


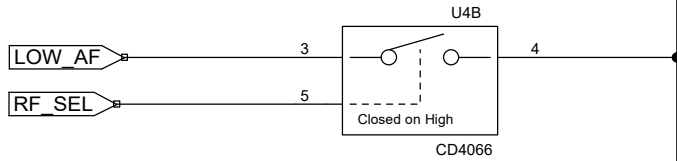
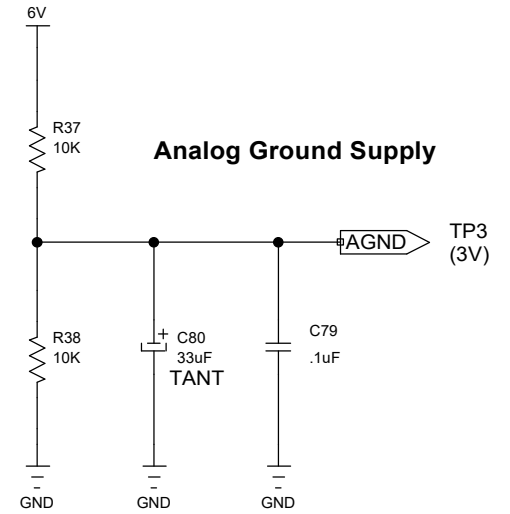
30M Values
 XTAL = 7.68 MHz Filter Z = 125 ohms
 C68, C70 = 220P C67, C69, C71 = 390p
 C66 = 47pF L6+L7 = 8.4uH R44 = 150 ohms
 C57, C59 = 0pF C6, C8, C14 = 0p (Tx)

Title		
openQRP Transceiver - Receiver 1st/2nd Mixers & Detector		
Author		
Steven T Elliott		
www.openQRP.org		
File	Document	
:\NewStuff\... openQRP SCH_R07.dsn.autosave		
Revision	Date	Sheets
E	1/5/2024	1 of 9

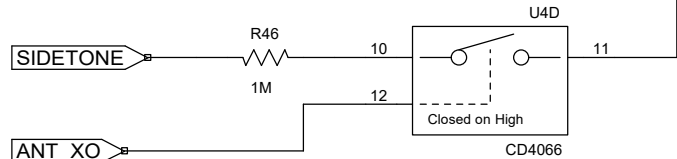
Active Audio Filter (725 Hz)



Analog Ground Supply



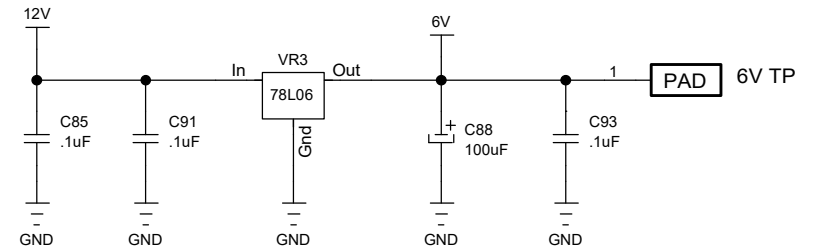
Recovered Audio Select



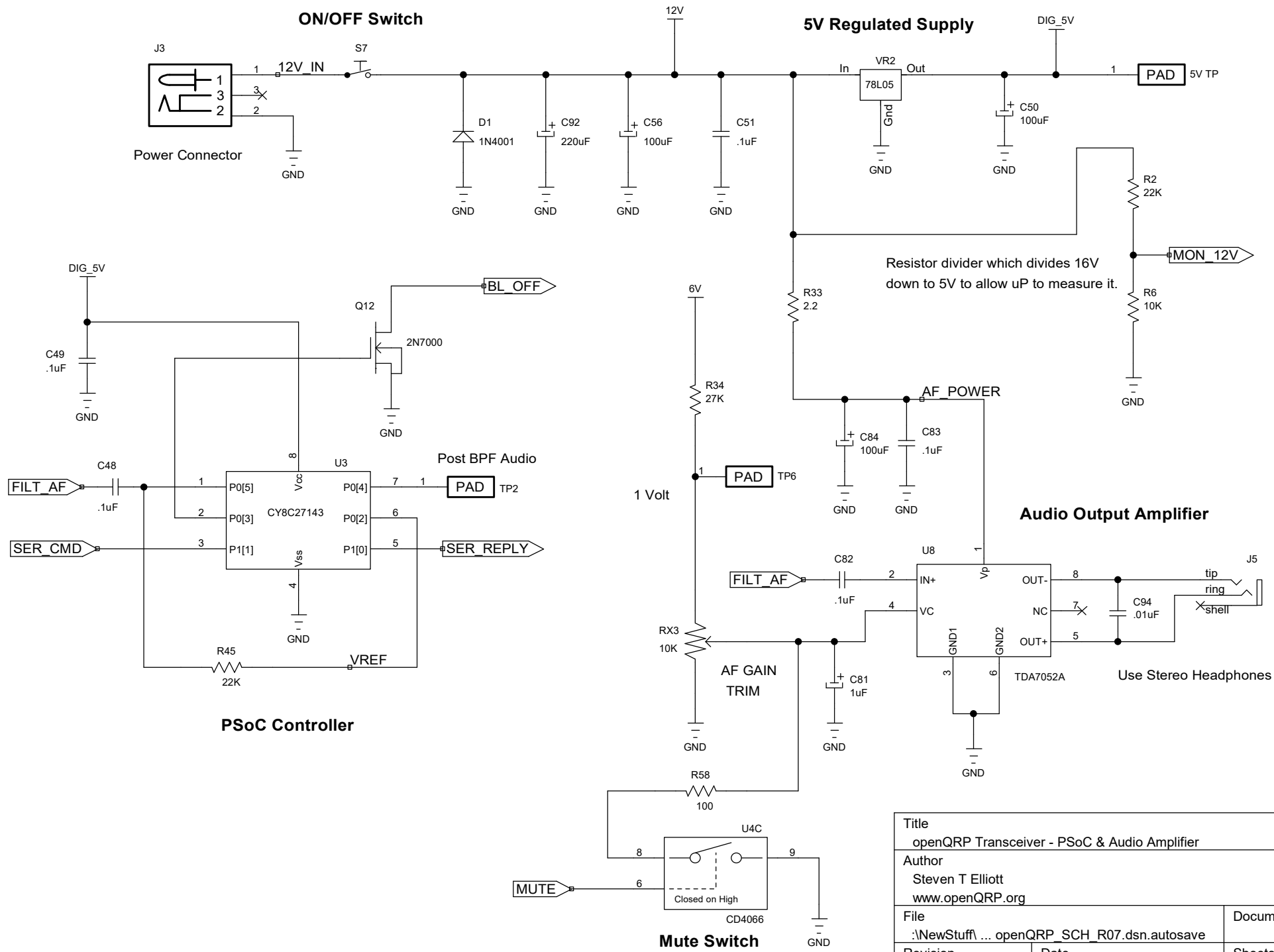
Sidetone Select

High when transmitting
Low during receive

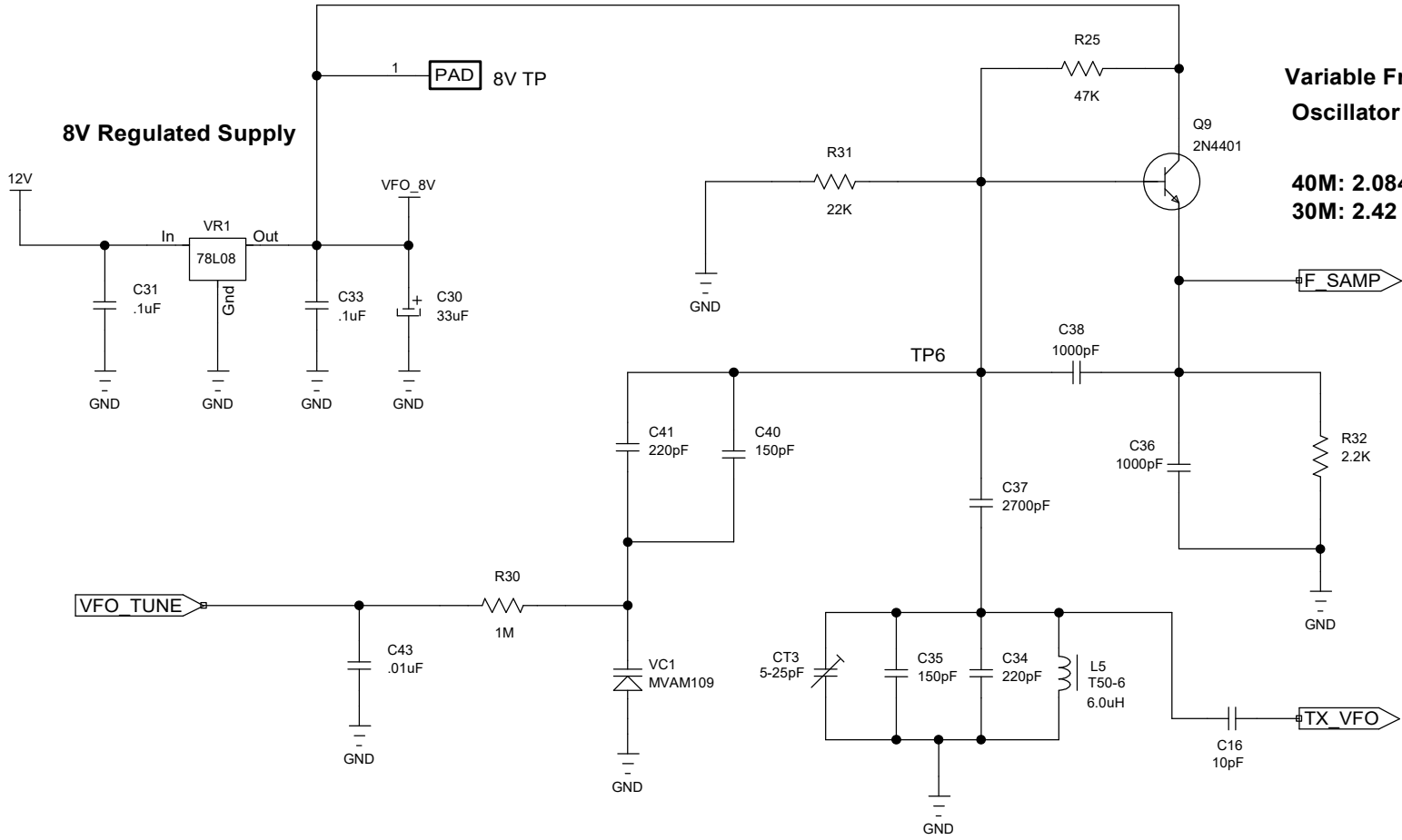
6V Regulated Supply



Title openQRP Transceiver - Four Pole Active Filter		
Author Steven T Elliott www.openQRP.org		
File .:NewStuff\... openQRP_SCH_R07.dsn.autosave	Document	
Revision E	Date 1/5/2024	Sheets 2 of 9



Title		
openQRP Transceiver - PSoC & Audio Amplifier		
Author		
Steven T Elliott		
www.openQRP.org		
File	Document	
:\NewStuff\... openQRP_SCH_R07.dsn.autosave		
Revision	Date	Sheets
E	1/5/2024	3 of 9



Variable Frequency Oscillator

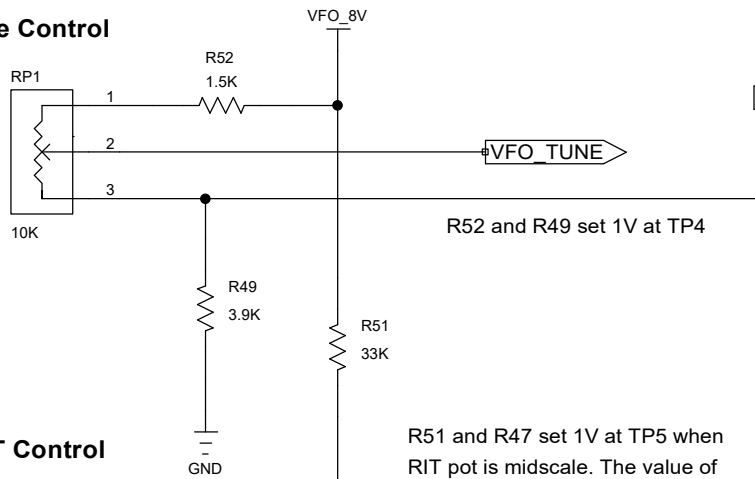
**40M: 2.084 MHz
30M: 2.42 MHz**

40M Values Shown

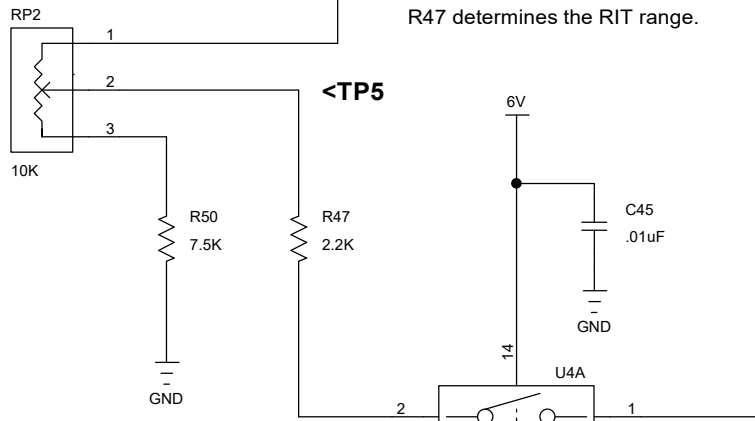
Title openQRP Transceiver - VFO with Varactor Tuning		
Author Steven T Elliott www.openQRP.org		
File .:NewStuff\ ... openQRP_SCH_R07.dsn.autosave	Document	
Revision E	Date 1/5/2024	Sheets 4 of 9

TUNE and RIT Controls

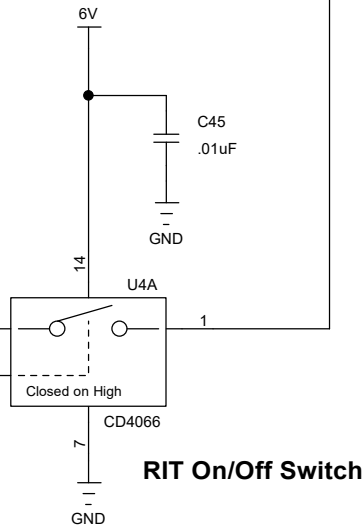
Tune Control



RIT Control



RIT ON

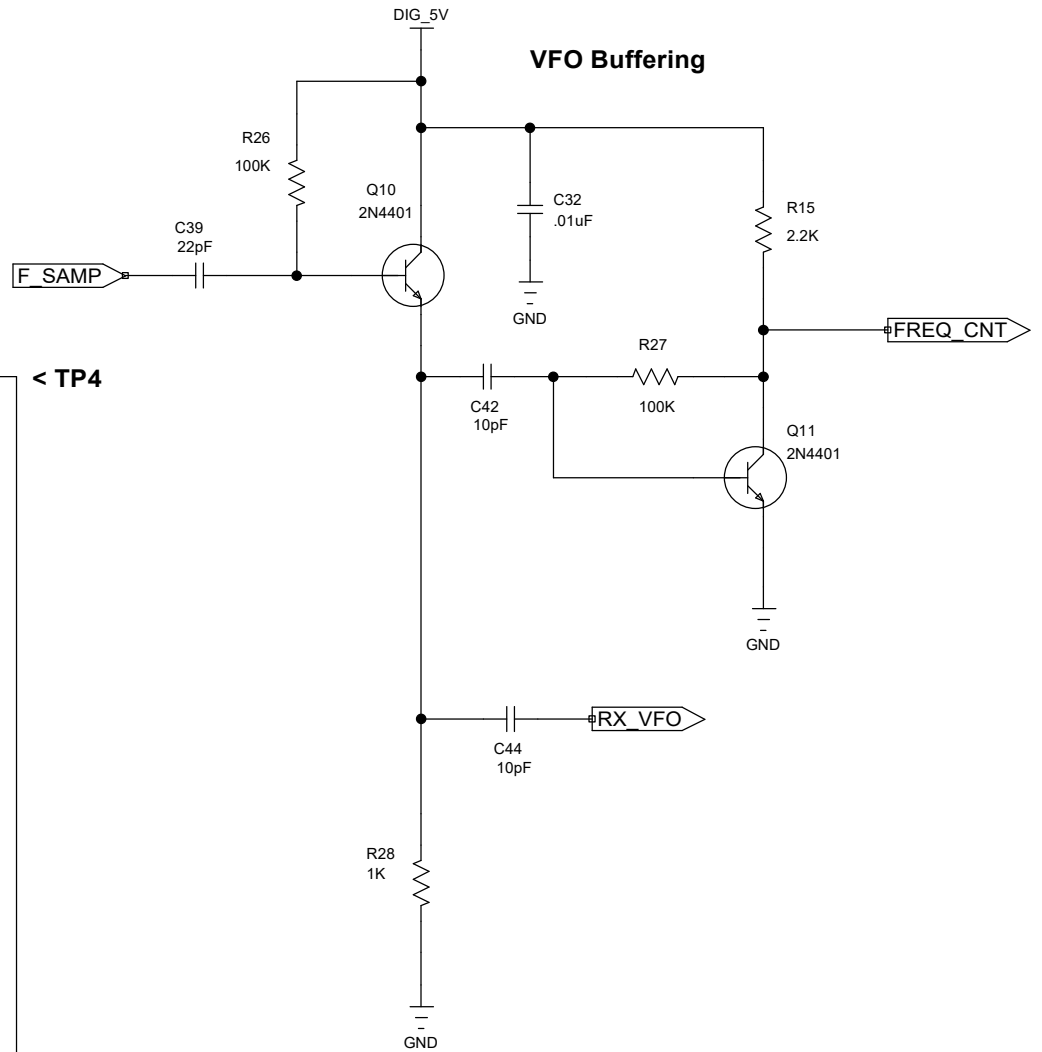


RIT On/Off Switch

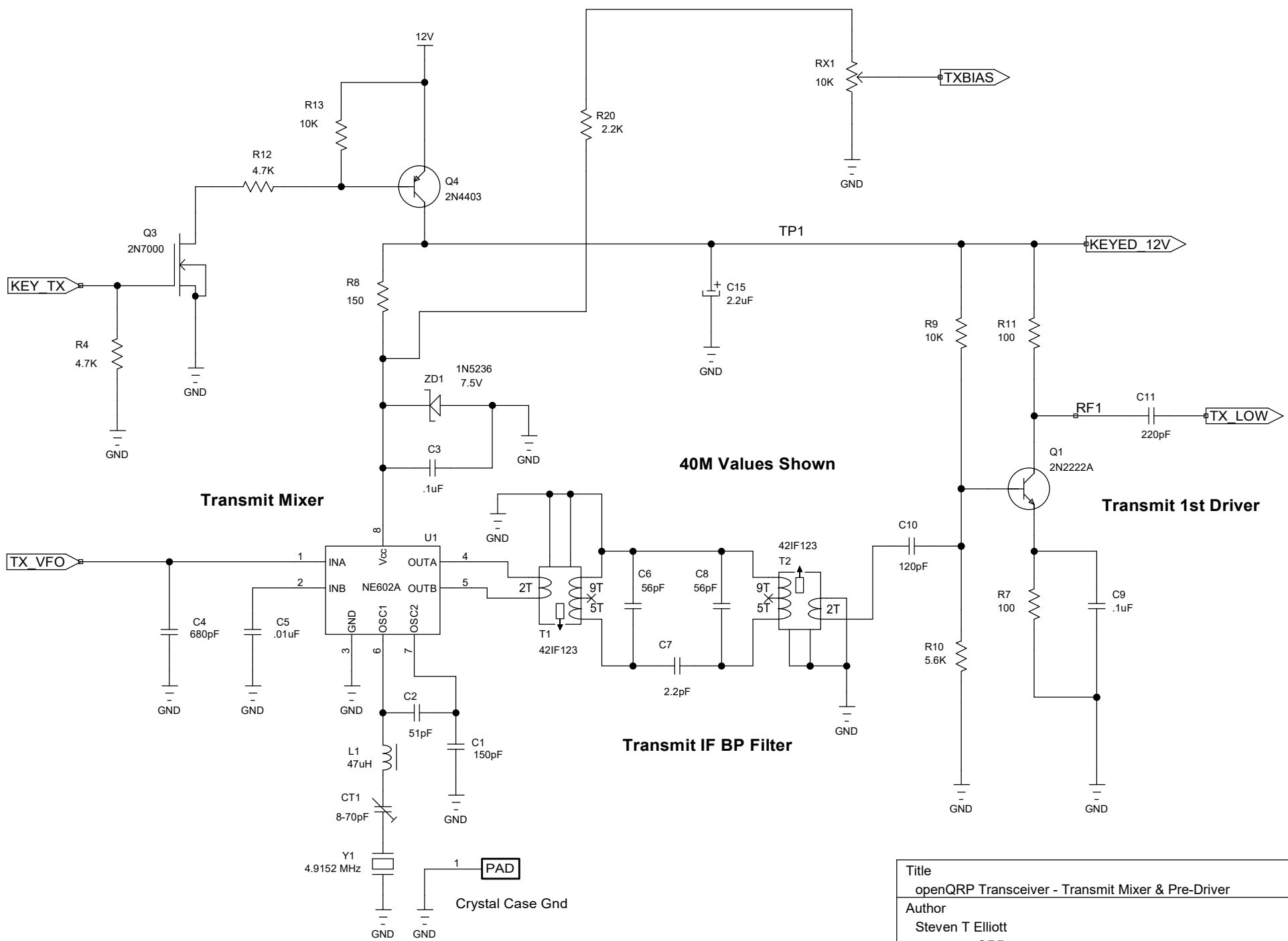
RIT Calibration

Turn RIT off and adjust RP2 to get 1.0V at TP5. Then set RIT knob so that its arrow is centered.

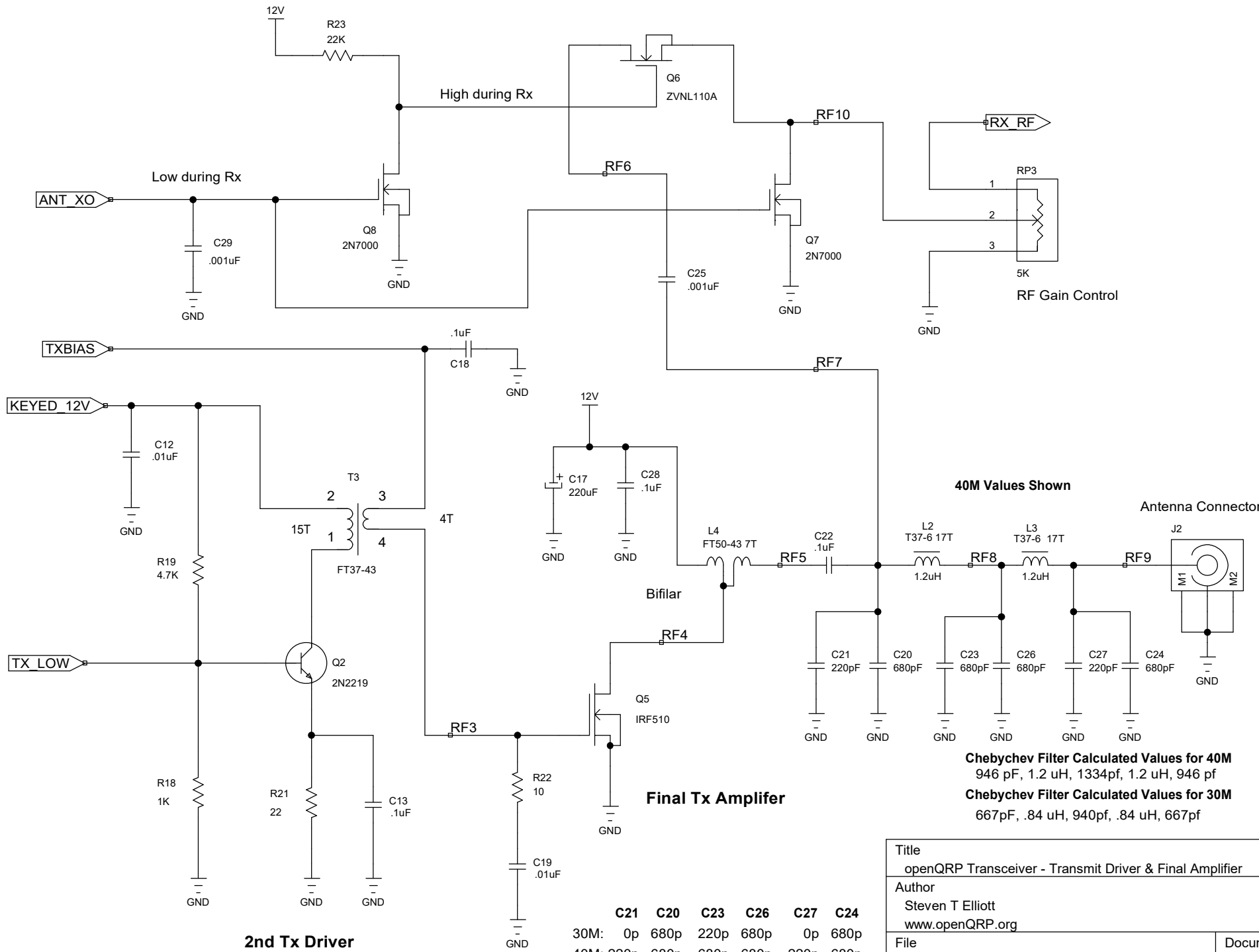
VFO Buffering



Title openQRP Transceiver - VFO Buffer Amp		
Author Steven T Elliott www.openQRP.org		
File .:NewStuff\... openQRP_SCH_R07.dsn.autosave	Document	
Revision E	Date 1/5/2024	Sheets 5 of 9



Title openQRP Transceiver - Transmit Mixer & Pre-Driver		
Author Steven T Elliott www.openQRP.org		
File .:NewStuff\... openQRP_SCH_R07.dsn.autosave	Document	
Revision E	Date 1/5/2024	Sheets 6 of 9

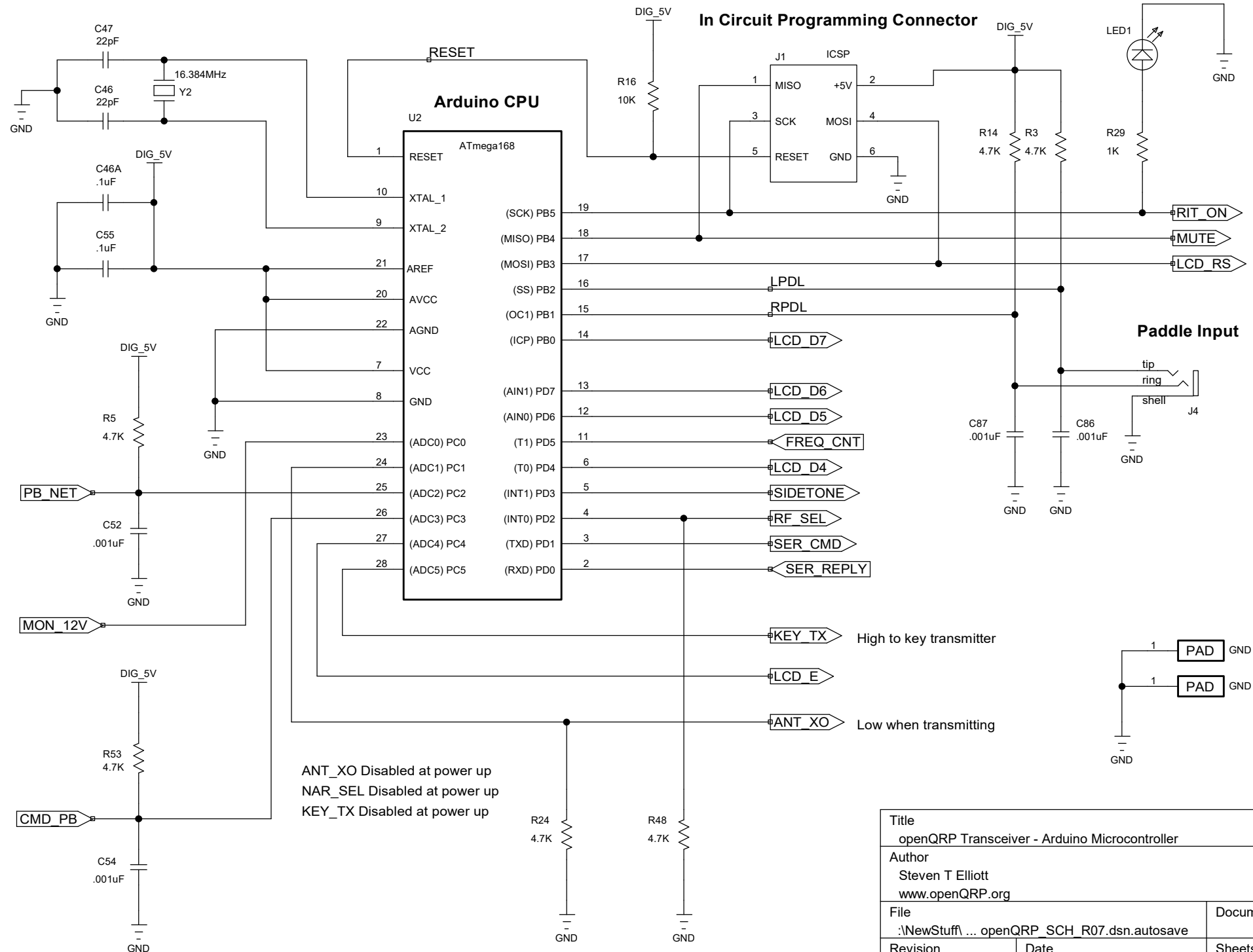


40M Values Shown

Chebyshev Filter Calculated Values for 40M
 946 pF, 1.2 uH, 1334pf, 1.2 uH, 946 pf
Chebyshev Filter Calculated Values for 30M
 667pF, .84 uH, 940pf, .84 uH, 667pf

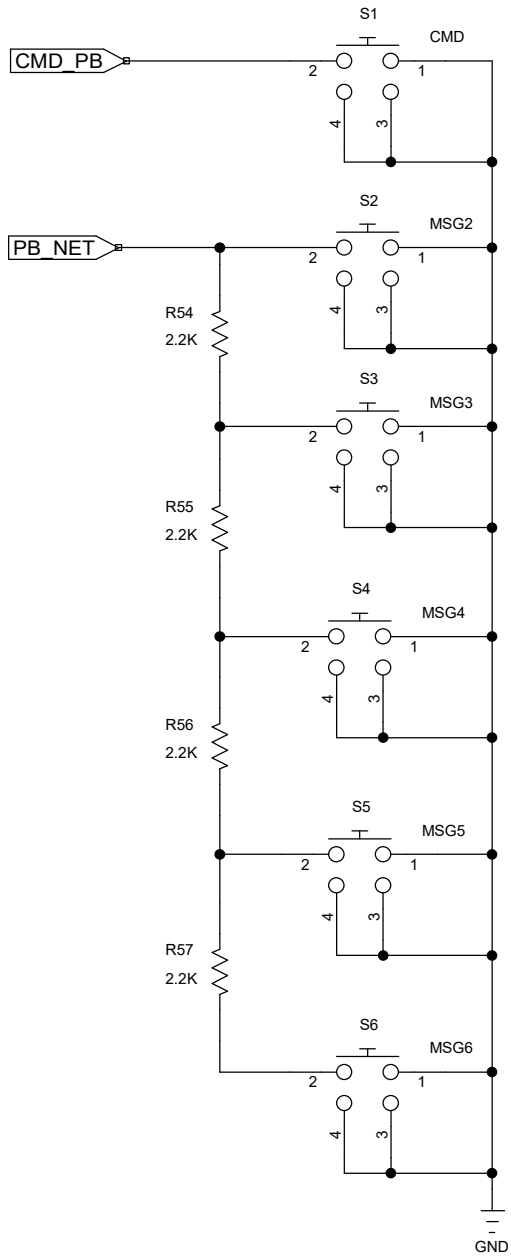
	C21	C20	C23	C26	C27	C24
30M:	0p	680p	220p	680p	0p	680p
40M:	220p	680p	680p	680p	220p	680p

Title openQRP Transceiver - Transmit Driver & Final Amplifier		
Author Steven T Elliott www.openQRP.org		
File .:NewStuff\... openQRP_SCH_R07.dsn.autosave	Document	
Revision E	Date 1/5/2024	Sheets 7 of 9

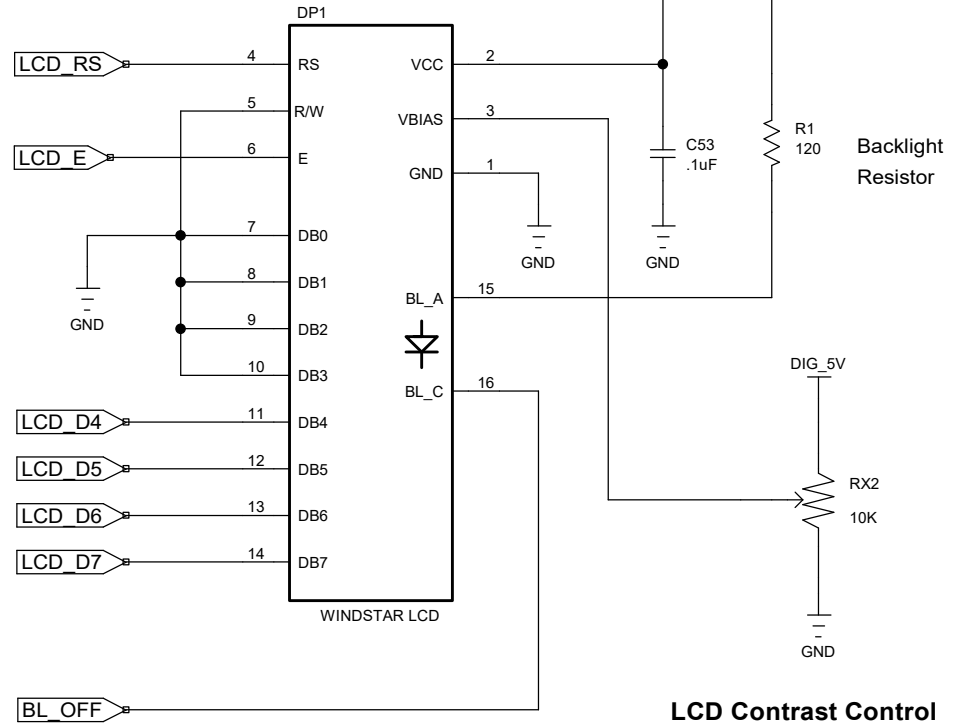


Title openQRP Transceiver - Arduino Microcontroller		
Author Steven T Elliott www.openQRP.org		
File .:NewStuff\... openQRP_SCH_R07.dsn.autosave	Document	
Revision E	Date 1/5/2024	Sheets 8 of 9

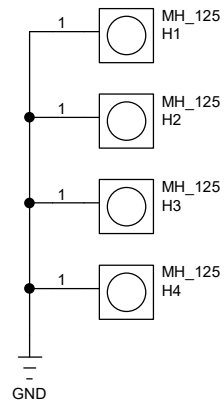
Front Panel Pushbutton Switches



LCD Display



Mounting Holes



Title openQRP Transceiver - LCD Display & Pushbutton Switches		
Author Steven T Elliott www.openQRP.org		
File .:NewStuff\... openQRP_SCH_R07.dsn.autosave	Document	
Revision E	Date 1/5/2024	Sheets 9 of 9